



ACTIVESOL

PHOTOVOLTAIC MODULES

ASOL-300M-WS-RHA



Positive power tolerance +3%



Product guarantee



Guarantee of linear efficiency



Fire resistance



Wind pressure resistance
2400Pa



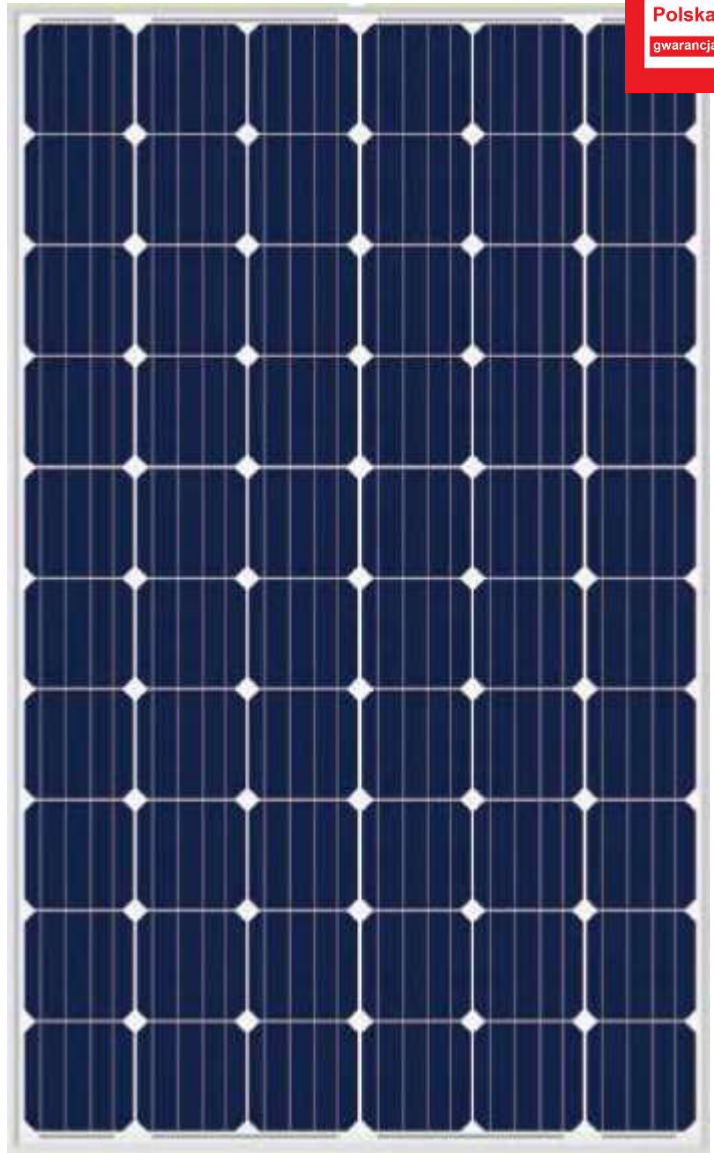
Snow load resistance 5400Pa



EN 61730-1, EN 61730-2



5 bus-bar



Polska
gwarancja



XDISC S.A. ■ ul Jagiellońska 82c ■ 03-301 Warsaw ■ T +48 22 100 14 21 ■ F +48 22 811 21 45 ■ E pv@x-disc.pl ■ www.xdisc.pl

TECHNICAL SPECIFICATION

ACTIVESOL STANDARD MONOCRYSTALLINE PHOTOVOLTAIC MODULES

ASOL-300-BB-RHA

ELECTRICAL PARAMETERS STC

Module	ASOL-300M-WS-RHA
Peak Power Pmax	300 Wp
Open Circuit Voltage Voc	39,80 V
Short Circuit Power Isc	9,77 A
Max. Power Voltage Vmp	32,60 V
Max. Power Current Imp	9,19 A
Power tolerance	0+3%
Efficiency	18,30 %

Standard test conditions (STC): incident sunlight of 1000 W/m², cell temperature of 25°C, 1.5 AM

Electrical parameters on the product nameplate can slightly differ from specification data because of different batch of cells used in production

TEMPERATURE COEFFICIENT

Isc	+0,050 %/K
Voc	-0,29 %/K
P _{MAX}	-0,39 %/K

WORKING CONDITIONS

Max. load	IEC 5400 Pa
Class	A
Maximum series fuse rating	15 A

MECHANICAL PARAMETERS

Dimensions	1650 x 992 x 35 mm
Weight	18,00 kg
Glass	3,2 mm tempered
Encapsulate	Copolymer EVA
Cells	PERC Monocrystalline Si, 5BB 6x10 (60 cells in series)

SYSTEM PARAMETERS

Operational conditions	85% RH, -40 → +85°C
Maximum system voltage	1000 VDC
Safety class	II
Hail	Max. diameter 25mm impact velocity 23m/s

Backsheet

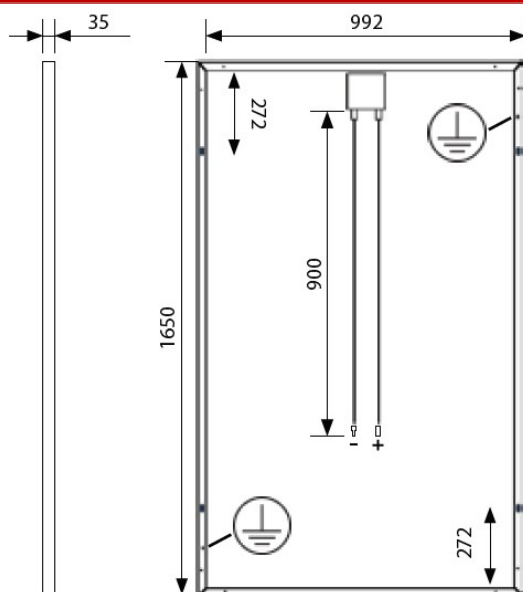
Multilayer

LEGEND

Frame	Anodized aluminum
Junction-box	IP67, 3 by-pass diodes
Cable	Cable 4mm ² , 0,9m, MC4 or compatible

W	Backsheet color	W – white
S	Frame color	S - silver
RHA	Manufacturer internal code	

DIMENSIONS



GRAPHS

